

ELMARK[®]

The Brand of Electricity

GOLIA GARDEN FIXTURES



GENERAL INFORMATION »

- ∴ Rated voltage: 230V/ 50-60Hz
- ∴ Lamp holder: E27
- ∴ Colour: Black
- ∴ Lantern body: Resin with clear glass
- ∴ Lamp not included
- ∴ UV resistant
- ∴ Insulation class II
- ∴ Protection rating: IP55

FEATURES »

- ∴ Square lantern in classic style
- ∴ Made of shockproof resin material
- ∴ UV-rays stabilized, rust and corrosion-free.
- ∴ Modular construction suitable for hanging and wall installation.

AREAS OF APPLICATION »

- ∴ Suitable for outdoor use
- ∴ Gardens
- ∴ Parks

TECHNICAL SPECIFICATION SHEET

ELMARK®

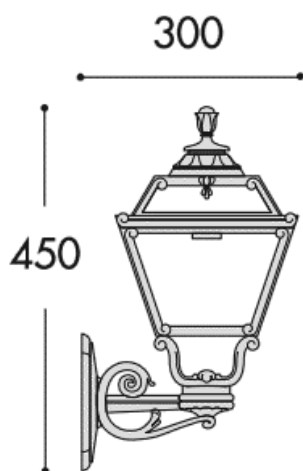
The Brand of Electricity

PRODUCT DETAILS »

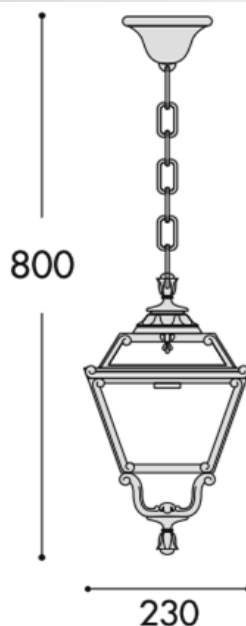
Catalogue number	Description	Colour	Lampholder
96GOLIAWL/BL	Wall lantern	Black	1xE27
96GOLIAP/BL	Hanging lantern	Black	1xE27
96GOLIAMF/BL	Lantern floor post	Black	1xE27

DIMENSIONS »

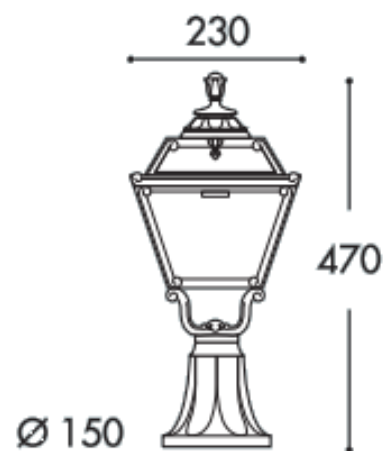
96GOLIAWL/BL



96GOLIAP/BL




96GOLIAMF/BL



ADDITIONAL INFORMATION »

ELMARK lighting 96GOLIAWL/BL

 This luminaire is compatible with bulbs of the energy classes:

A++

A+

A


B


C

D

E

}



874/2012 

Catalogue number	Barcode	Packing/ Box (pcs)
96GOLIAWL/BL	8031874113161	1/12
96GOLIAP/BL	8031874113055	1/12
96GOLIAMF/BL	8031874112959	1/12

CE RoHS COMPLIANT 